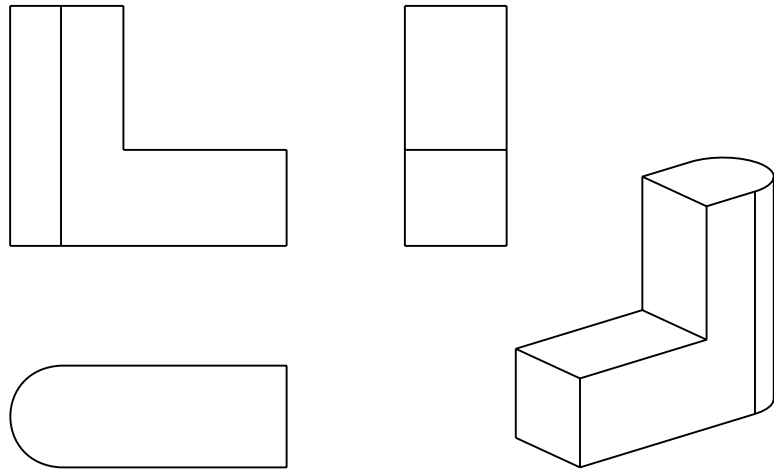


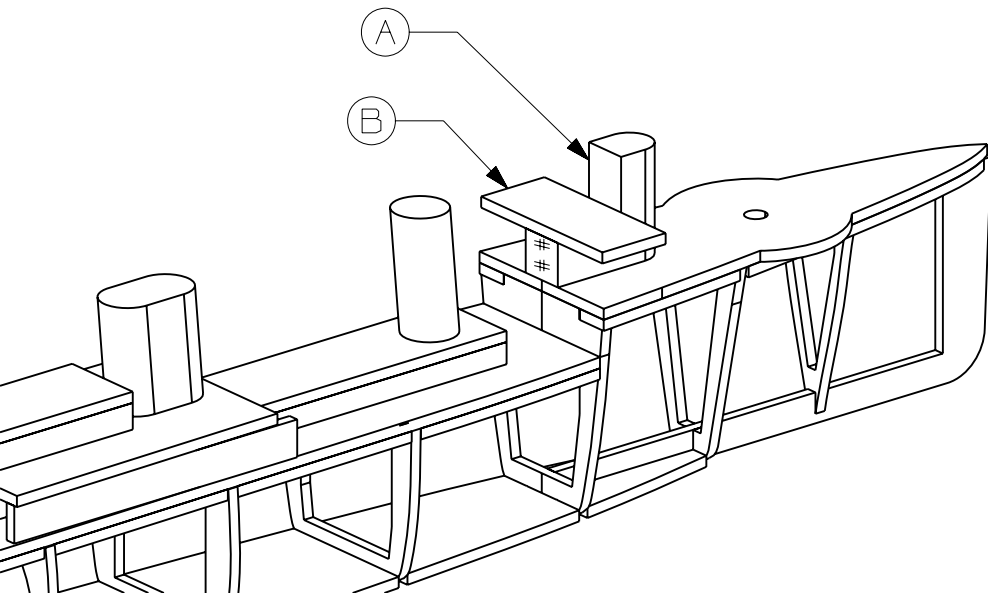
SUPERSTRUCTURE FORWARD



COMPONENT A
(balsa block)

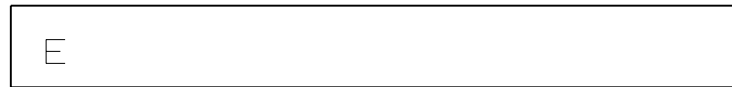
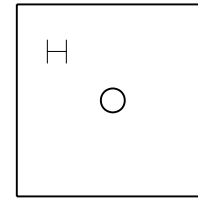
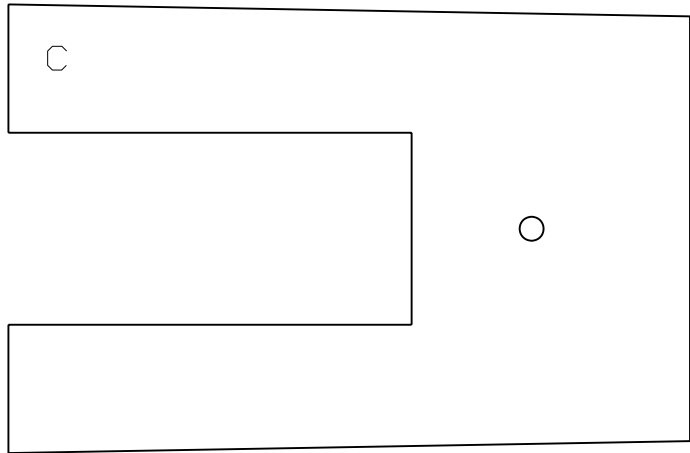


COMPONENT B
(1/8")

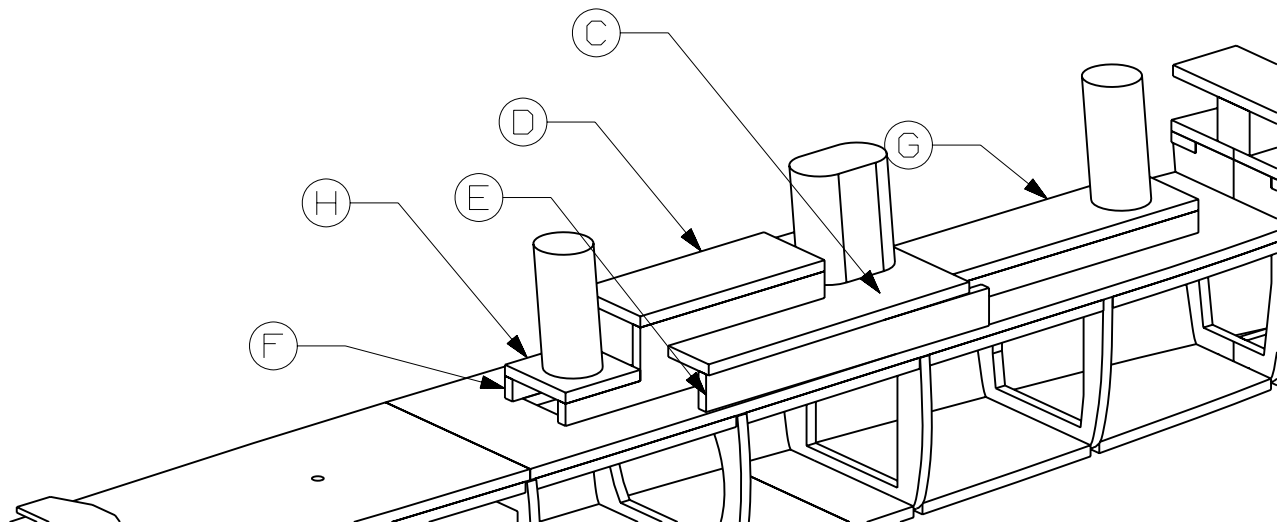


Construct main mast from thin dowel
5.0 inch long and attach to rear of
superstructure where indicated ##

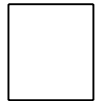
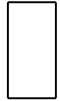
SUPERSTRUCTURE CENTER
(1/8")



NOTE: for reduced weight,
1/16" or thinner material
may be used instead.



SUPERSTRUCTURE AFT

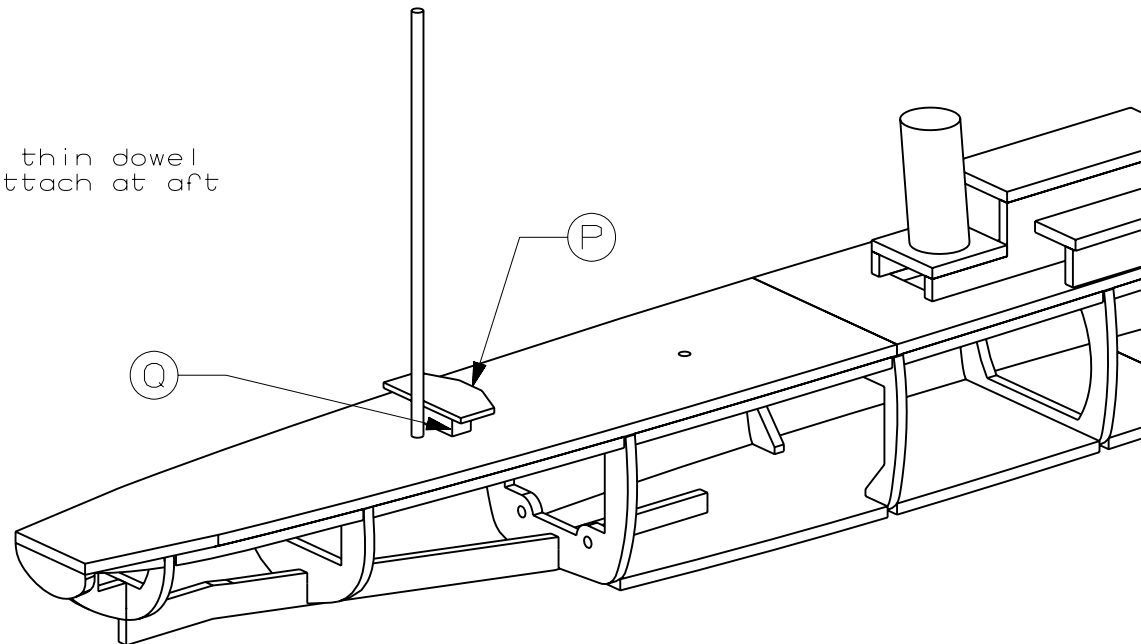


COMPONENT Q
(balsa block)

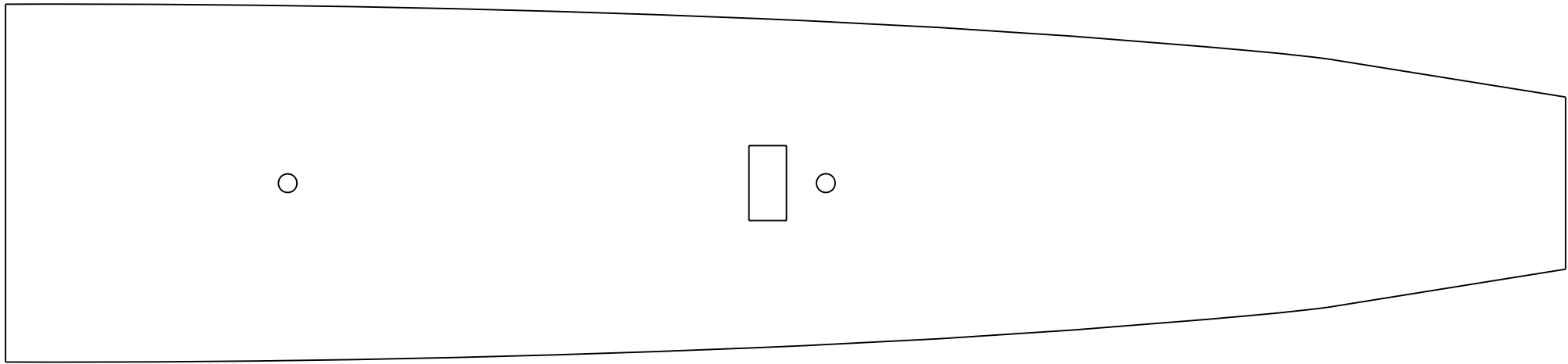
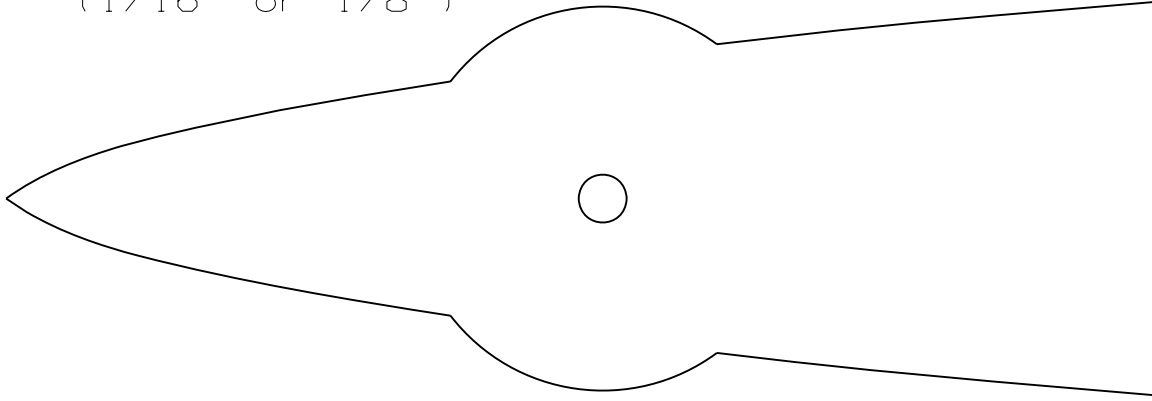


COMPONENT P
($1/16''$ or $1/8''$)

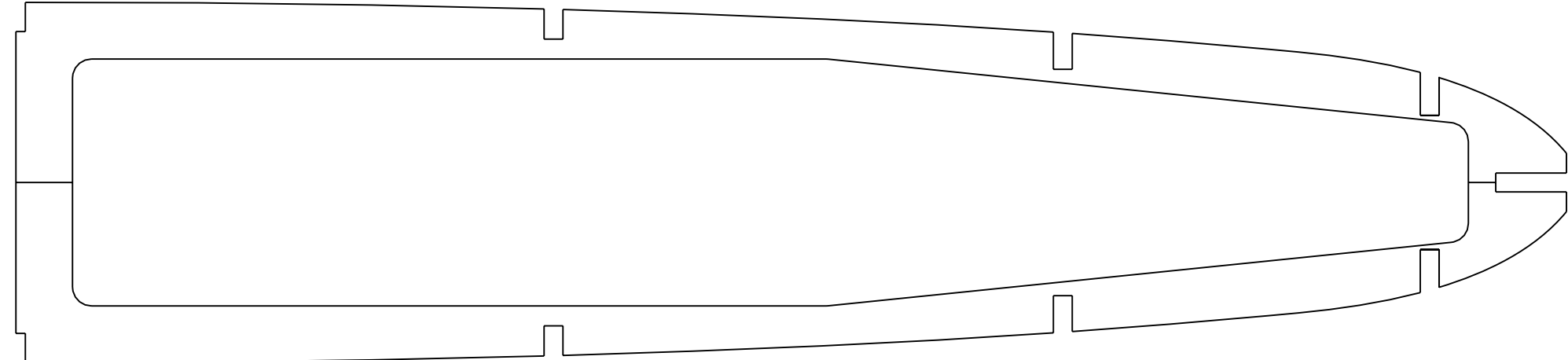
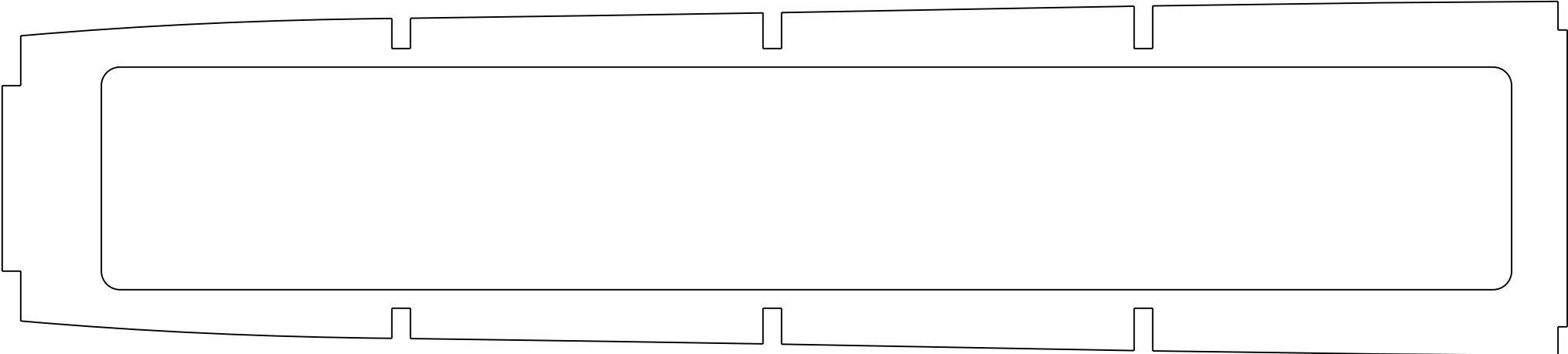
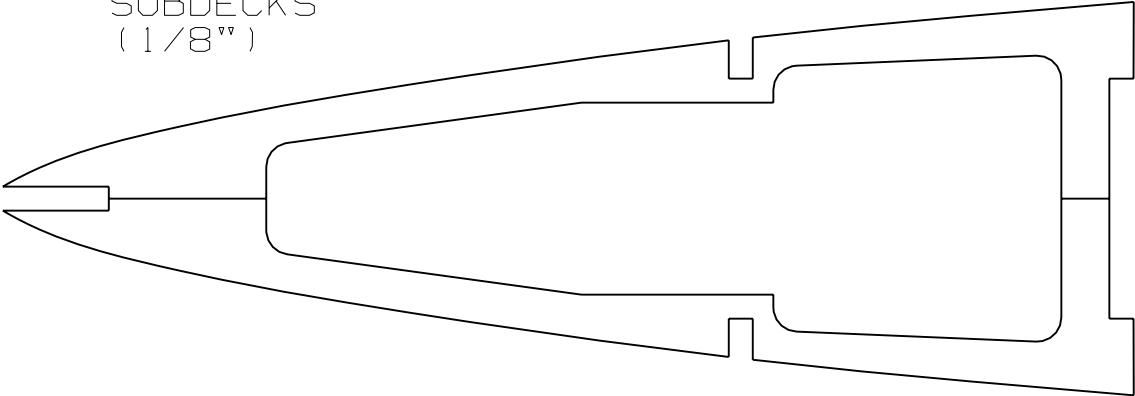
Construct mast from thin dowel
5.0 inch long and attach at aft
of superstructure



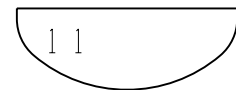
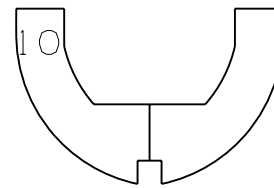
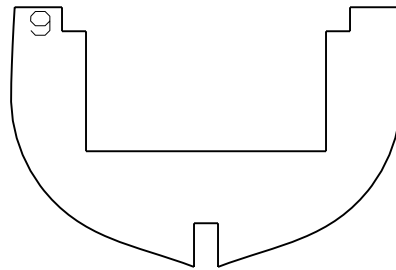
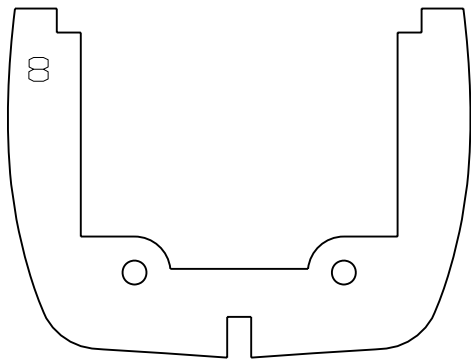
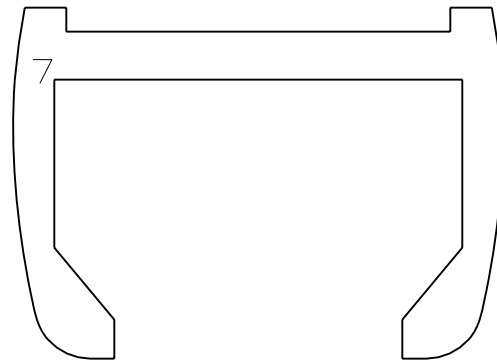
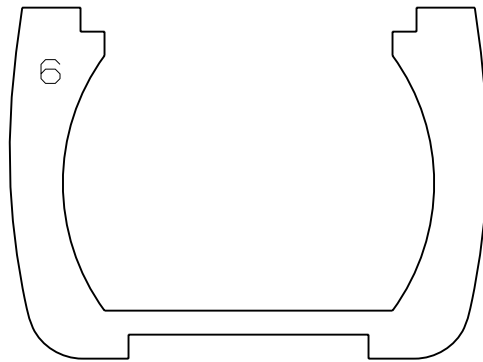
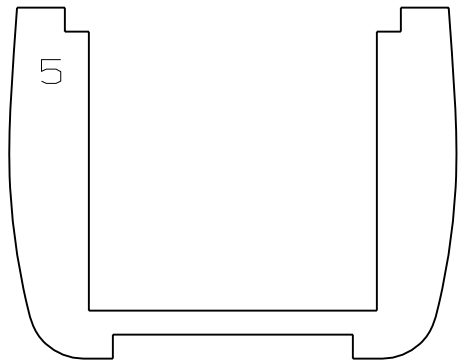
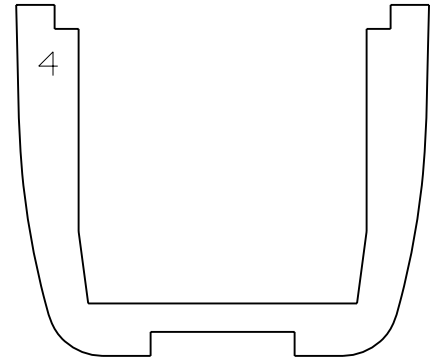
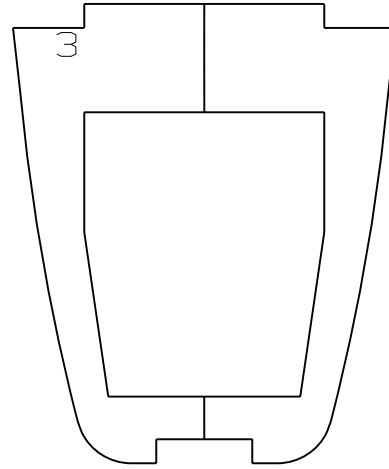
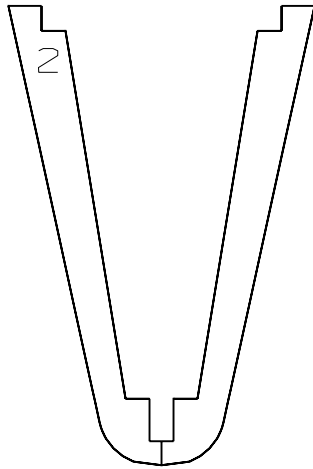
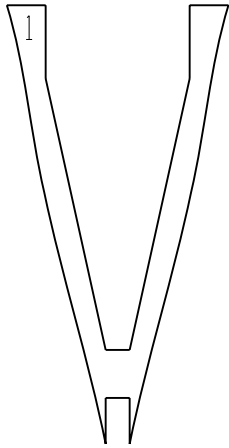
DECKS
(1/16" or 1/8")



SUBDECKS
(1/8")



RIBS
(1/8")



KEELS
(1/8")

